



CONVECTIVE HEAT FLOW



Non-Contact Temperature Measurement
without Optics

PROFILE TEMPERATURE MEASUREMENT

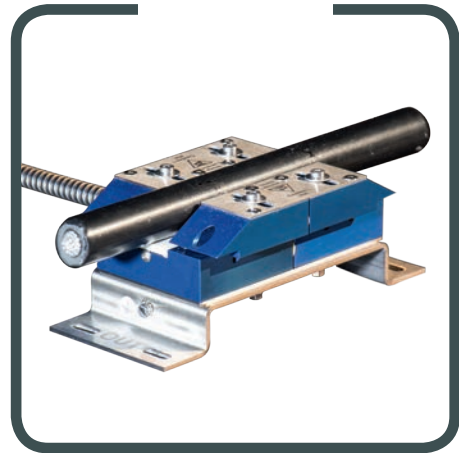
LUNE-CHF
MULTITEMP (MLT)

www.lune-chf.com

MULTITEMP (MLT)

PROFILE TEMPERATURE MEASUREMENT

- Non-contact and precise temperature measurement in a temperature range from 10° to 300°C (50° to 572°F); 400°C (752°F) on request, on different geometric shapes such as profiles (round, square), cables (with and without insulation) and pipes using the Convective Heat Flow principle (without optics). The MULTITEMP sensor head covers diameters from 3.60 mm to 100 mm (0.14" to 3.93"). Larger dimensions are available on request.
- The measurement is independent of influencing factors like colour, emission, speed, material, surface structure and varying distances between sensor head and object.
- The double head design allows auto calibration of the system. The measurement system is maintenance-free.



1. SENSOR HEAD

Model number / version

- CHH7504-MLT-X1-X2 square objects (3.6 to 45 mm) (0.14" to 1.77"), round objects (up to 100 mm) (3.93") 2 long sensors

X1 = LV = heating cartridge voltage of 120 VAC, without code = 230 VAC (standard)
X2 = HT = temperature measurement range up to 400°C (752°F) (on request)

1.1 INTERCONNECTION CABLE

- ICC300 Interconnection cable between electronics and sensor head
Standard cable length 3 m (9.8 ft)
- IPC500 Interpanel cable between EPC-1 electronics and EPC-2 panel-PC
Standard cable length 5 m (16.4 ft)

1.2 TECHNICAL DATA*

SENSOR HEAD

Measurement range:	10° to 300° C (50° to 572°F)
Dimensions:	square: 3.6 mm to 45 mm (0.14" to 1.77"), round: up to 100 mm (3,93")
Power supply:	230 VAC (standard) or 120 VAC (LV code) from electronics via ICC cable
Power input:	300 VA max. for 5 min, usually approx. 40 VA depending on sensor head temperature

* weitere Technische Daten finden Sie im Benutzerhandbuch

2. LUXTRON AND IRCON SENSOR HEADS

Existing Luxtron and Ircon heads can be connected to the new lune-CHF electronics. In some cases a new ICC cable with adapter will be required. In addition, lune GmbH offers a repair and calibration service for all CHF heads manufactured by Luxtron and Ircon.

3. ELECTRONICS

The electronics is available in following versions:

- ❶ CHE8000-EIP Portable electronics - (remote electronics with integrated panel PC)
- ❷ CHE8000-EPC-1 Remote electronics
- ❸ CHE8000-EPC-2 Panel-PC

3.1 ASSEMBLY TYPES / NETWORK CONNECTION

Electronics versions CHE8000-	TT	PM	SM	DIN	19"	LAN
EIP	✓	optional	N. A.	N. A.	optional	optional
EPC-1	N. A.	optional	✓	✓	optional	N. A.
EPC-2	✓	optional	optional	optional	optional	optional

(The panel PC EPC-2 is not mandatory for the operation of the measurement system)

- ✓ = Standard
- TT** = tabletop unit with folding feet or rubber feet (tabletop)
- PM** = mounting in control panel cut-out (panel mount)
- SM** = mounting on control panel or rear panel (surface mount)
- DIN** = mounting on DIN C-rail
- 19"** = mounting in 19" rack
- LAN** = network connection



2 CHE8000-EPC-1



1 CHE8000-EIP



3 CHE8000-EPC-2

4. TECHNICAL DATA*

ELECTRONICS

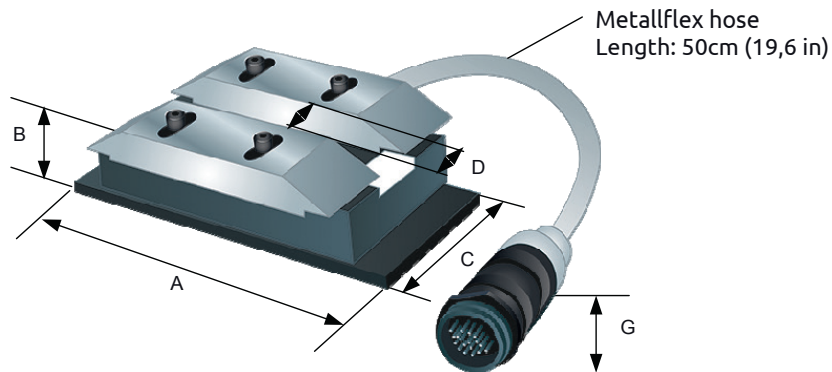
Display:	7" TFT colour display with resistive touch panel (only models EIP and EPC-2)
Accuracy:	+/- 0,50% of full scale
Repeatability:	+/- 0,25% of full scale
Resolution:	+/- 1° C (°F)
Time constant:	< 1 sec
Output:	0/4 - 20 mA, 0 - 10 VDC, -5 to +5 VDC (temperature difference)
Interfaces:	RS422; USB 2.0; optional LAN via panel PC
Temperature:	0° - 45° C (32° - 113°F)
Power supply:	110 VAC / 230 VAC; 50 / 60 Hz; range 85 - 264 VAC, 47 - 63 Hz
Power input:	approx. 15 W

* for further technical details pls. refer to the operating manual

5. Dimensions

Head CHH7504-MLT
Dimension / weight

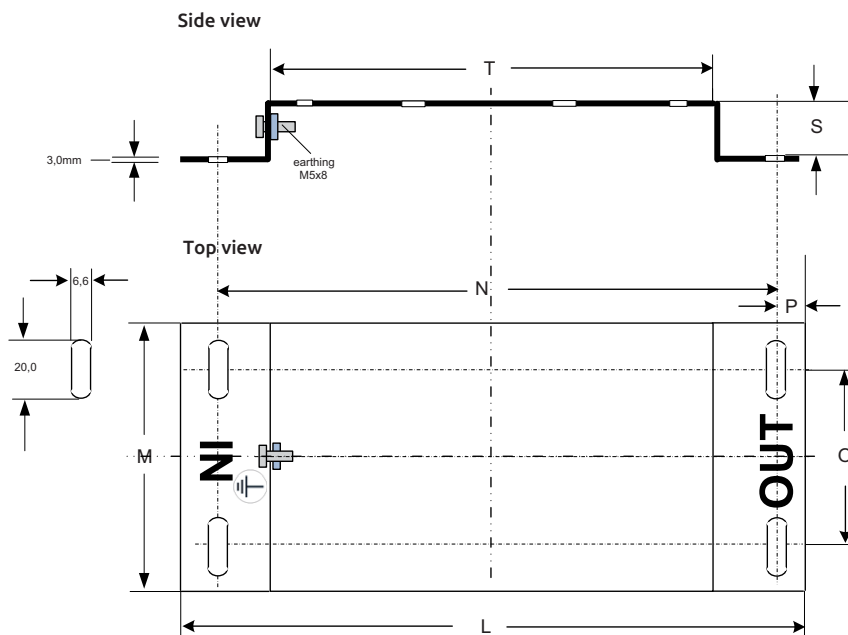
Dimensions head in mm (in)



Model	A	B	C	D	G
CHH7504-MLT	152,0 (5,98")	51,5 (2,02")	82,5 (3,24")	bis 100 mm (up to 3,93")	47,1 (1,85")

Dimensions mm; (inch)
Weight: 2,2 kg; (4,85 lbs)

Dimensions mounting bracket head in mm (in)



Model	L	M	N	O	P	S	T
CHH7504-MLT	218,0 (8,58")	92,0 (3,62")	194,0 (7,64")	56,6 (2,23")	12,0 (0,47")	25,0 (0,98")	146,0 (5,75")